

DRILL SUPPORT/GENERAL WORK CLASS ROV

Quasar is the medium size vehicle in SMD's Q-Series work class ROV range. Utilising the latest multi-platform Curvetech™ components, the vehicle offers class-leading in-current performance, tooling and instrument space and access for maintenance. Quasar is an excellent all round performer capable of survey, construction and drill support operations.

FEATURES

- Medium sized high power work class ROV
- Excellent performance and highly versatile
- Configurable for survey, drill support and construction tasks
- The essential all-rounder and backbone of your ROV fleet



GENERAL

Depth rating	up to 4000msw
Dimensions	
Length	3200mm (126in)
Width	1800mm (70.9in)
Height	1800mm (70.9in)
Weight in air (base system)	3500kg (7716 lbs)
Payload (base system)	250kg (551 lbs)
Through frame lift	3000kg (6614 lbs)

PERFORMANCE

Bollard pull	
Forward/aft	750kgf (1764 lbs)
Vertical (up)	550kgf (1213 lbs)
Surface performance	
Forward	3.5kn
Lateral	2.8kn
Vertical	2.2kn

INSTRUMENTS/TOOLING

Hydraulic channels	
Standard	12ch iHCU (15LPM), 1ch (high flow)
Optional	Torque tool controller 2ch iHCU (95LPM) 12ch iHCU (15LPM)
Video capability	
Standard	6 x channels composite
Optional	2 x composite + 2 x HDTV channels
Gyro	
Standard	Gyro compass
Optional	NS FOG
Lighting	2 x HID + 6 or 12 x halogen or LED
Manipulator	1 x 7F pos feedback (T4 compatible)
Grabber	1 x 5F rate, heavy duty

CONTROL CABIN

Control cabin	20ft, A60 ISO (optional zone II 3G)
Control system	SMD DVECSII ROV control hardware Dual touch screens TFT video wall
Incoming power supplies	380V-480Vac or 690Vac

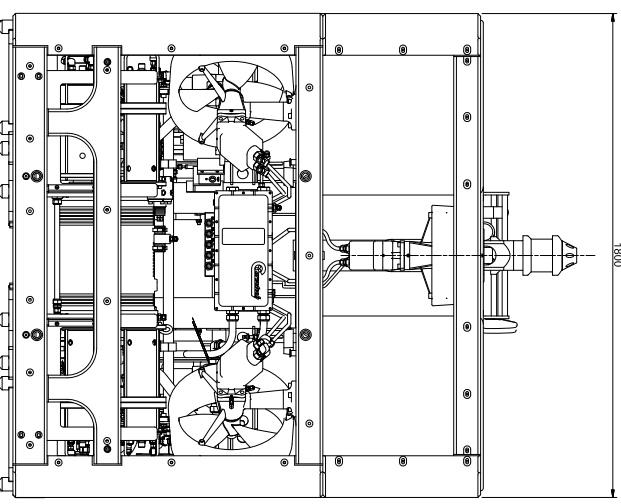
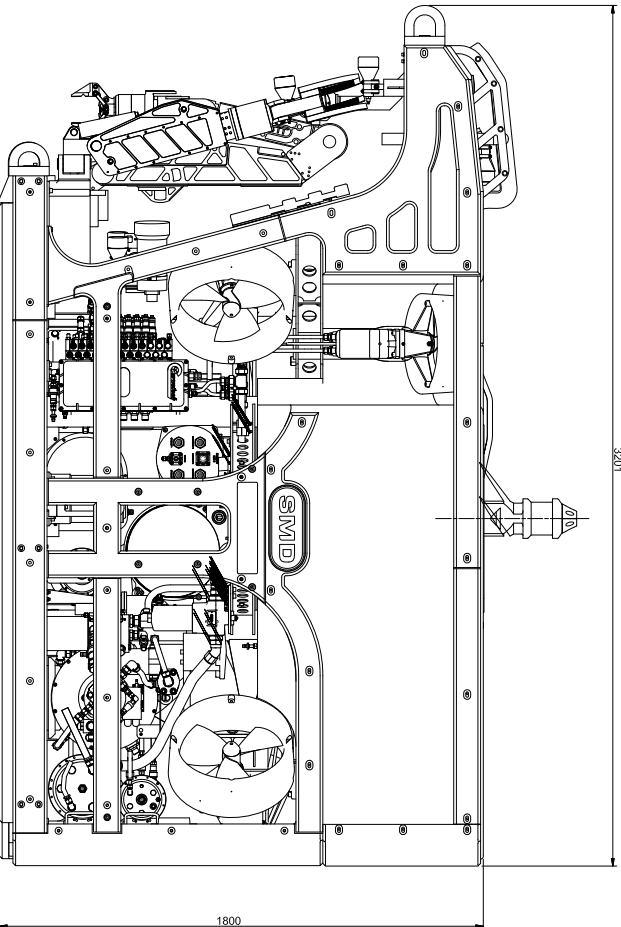
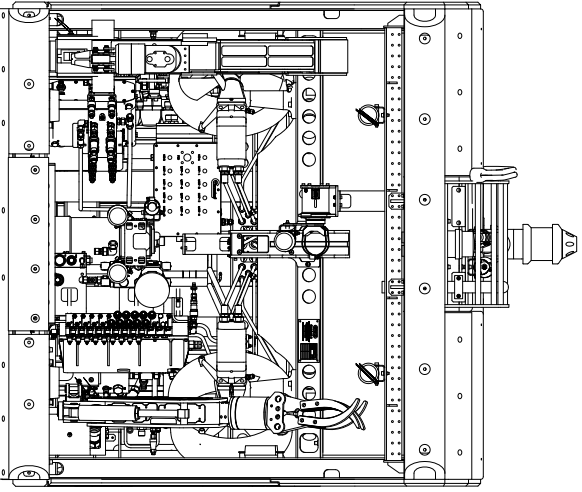
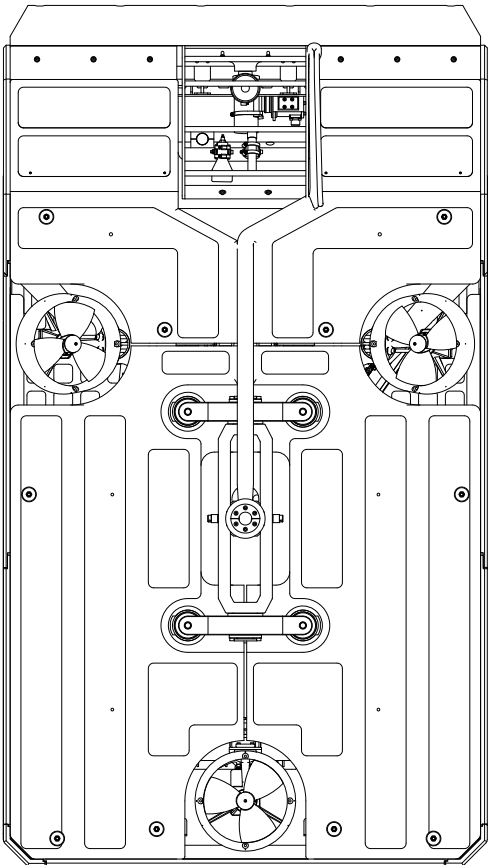
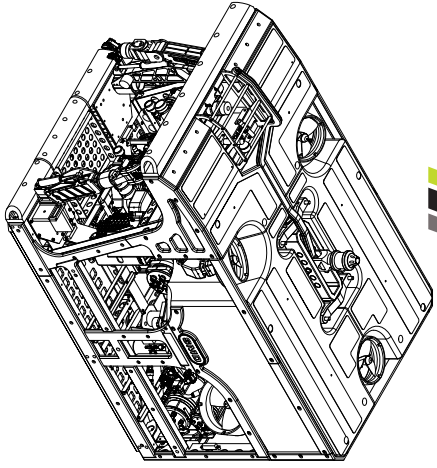
UPGRADE OPTIONS

Survey kit 1	2 x cameras 4 x RS232 channels Ethernet (10/100T)
Survey kit 2	Interface for 2 x Seabat 7125 units or high band width instruments
Survey kit 3	Interface for 2 x Seabat 7125/8125 units or high band width instruments



TYPICAL QUASAR SYSTEM;

- 8te A-Frame
- 8te 3500m winch integrated 75kW HPU
- Compact TMS
- Options available to suit customer requirements



REV NO.	DATE	CHANGE	ZONE	DRAWN	CHECK	APPROV	DATE	EST MASS	DIMENSIONS	SCALE	PROJECTION	3RD	TITLE
	09/07/13			N/A				N/A	1 : 10			QUASAR MkII ROV GA	

SMID Soil Machine Dynamics Ltd

A1

1 2 3 4 5 6 7 8 9 10

A B C D E

3201 1800 1800

REVISIONS

DESIGNED

DRAWN

LO

CHECKED

APPROVED

MATERIAL

DO NOT SCALE

FABRICATION

IF IN DOUBT ASK

DRAWING NO

AF9151

REV NO

0

SIZE

A1

SHEET

1 OF 1

ALL RIGHTS RESERVED. THIS DOCUMENT IS THE PROPERTY OF SOIL MACHINE DYNAMICS LTD. NO COPY IS TO BE MADE WITHOUT THE WRITTEN PERMISSION OF SOIL MACHINE DYNAMICS LTD.

THIS DOCUMENT IS THE PROPERTY OF SOIL MACHINE DYNAMICS LTD. NO COPY IS TO BE MADE WITHOUT THE WRITTEN PERMISSION OF SOIL MACHINE DYNAMICS LTD.

REGISTERED ENGINEERS. DESIGNERS OF GOVERNMENT ARMED FORCE CONTRACTS IN THE DESIGN AND THE PROPERTY OF SOIL MACHINE DYNAMICS LTD. ALL INFORMATION MUST BE HELD IN THE STRICTEST CONFIDENCE.